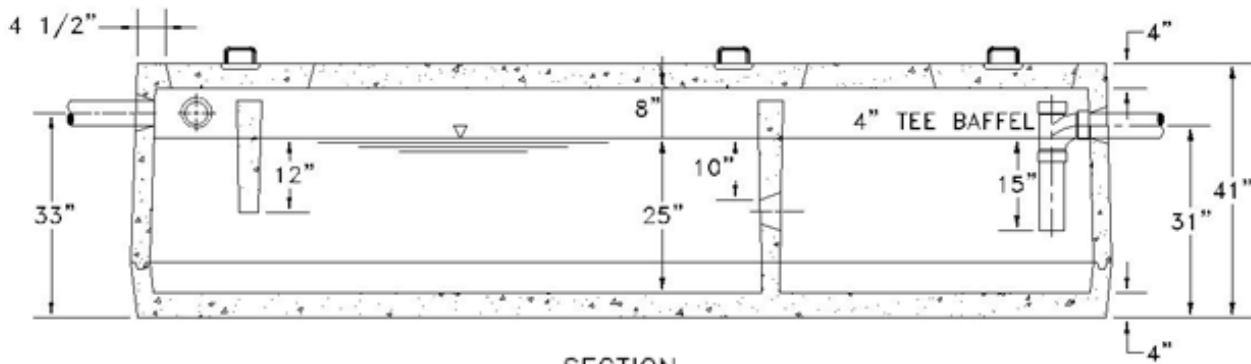


PLAN



SECTION

1000 GALLON 2 COMPARTMENT SEPTIC TANK