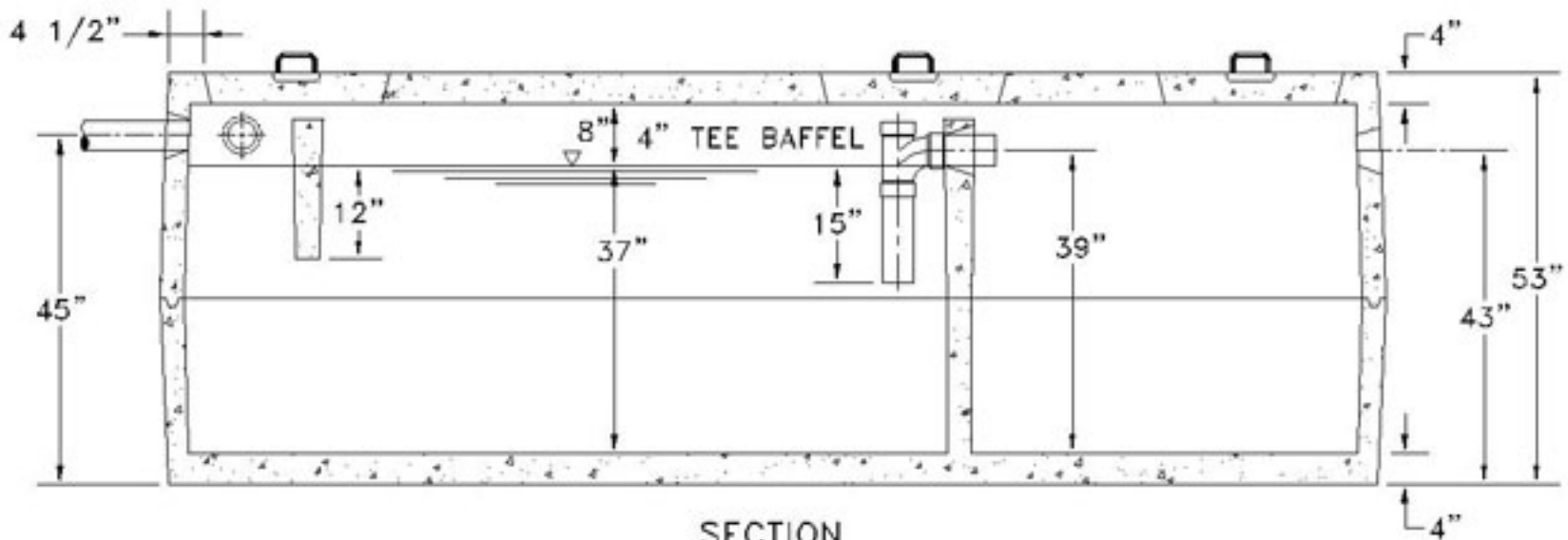


PLAN



SECTION

COMBINATION 1000 GALLON & 500 GALLON PUMP TANK